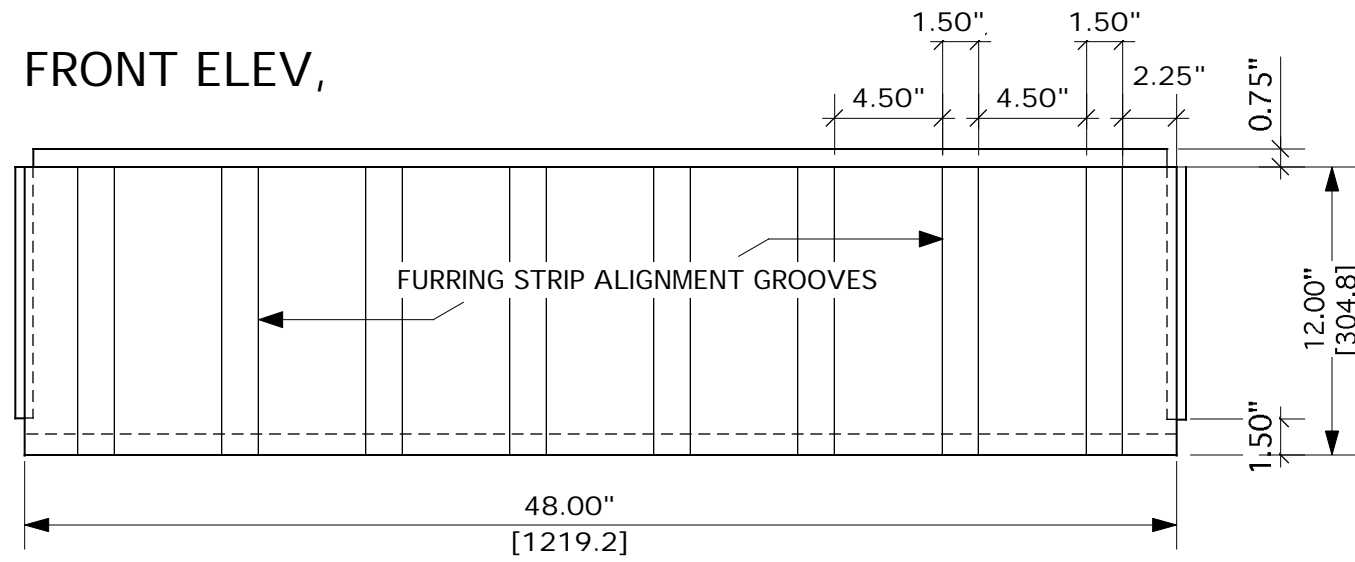
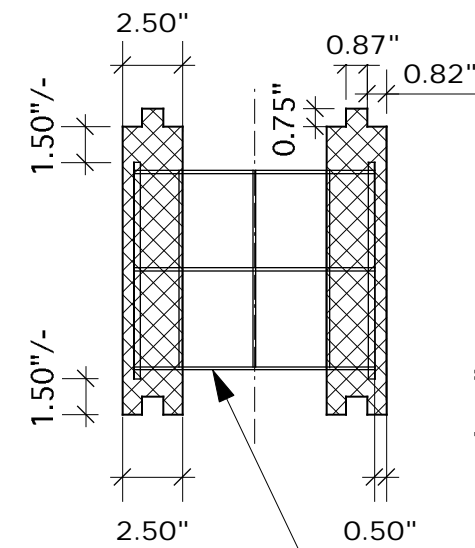


American Polysteel PS 4600-1 Scale 1.5"=12.0"

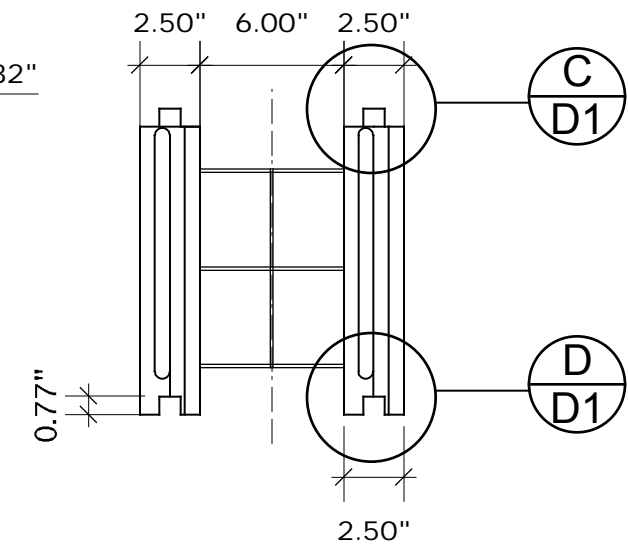
FRONT ELEV,



SECTION A

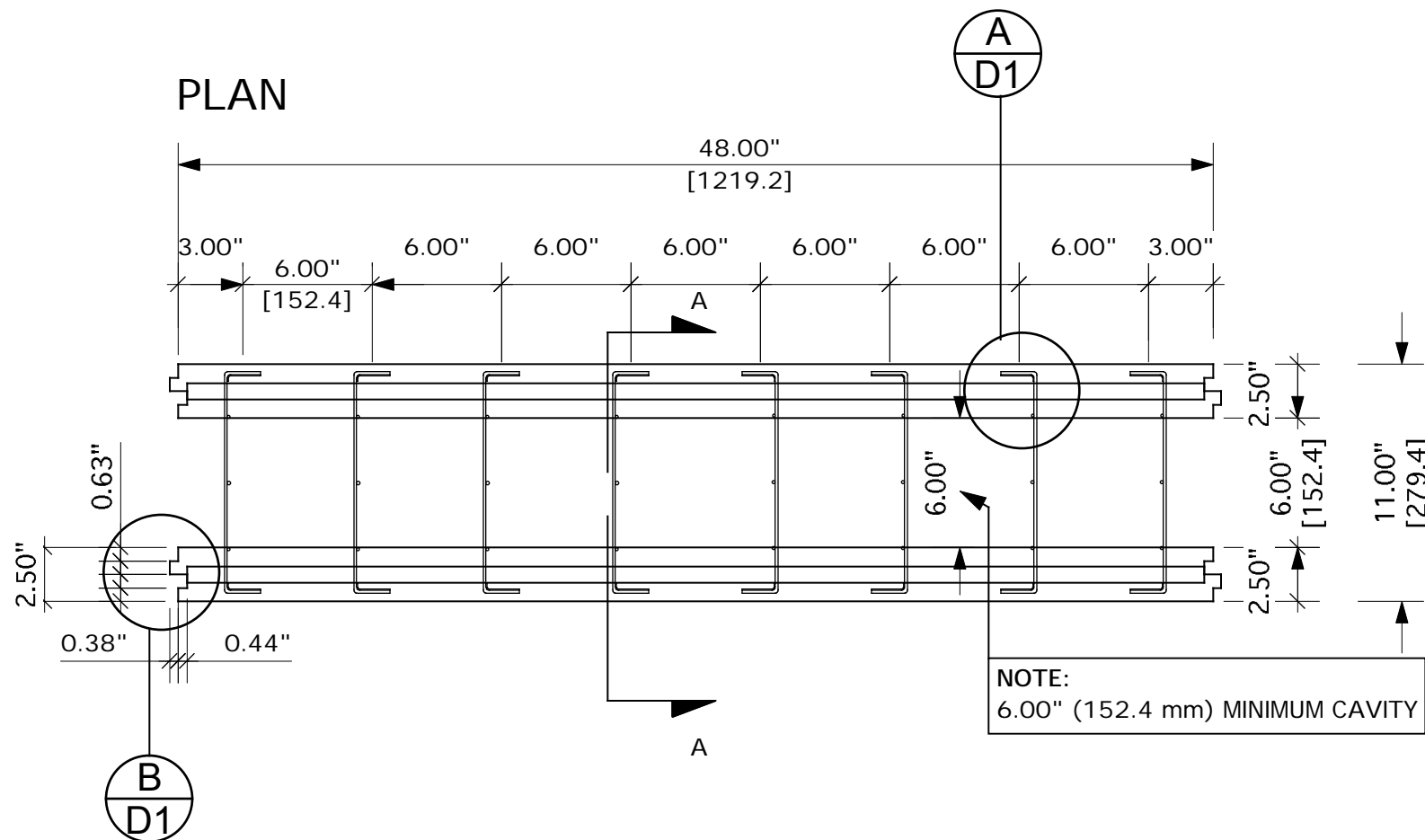


END ELEV,

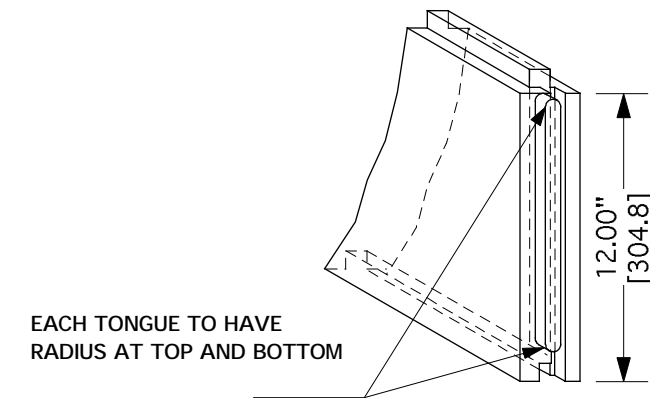


STEEL FURRING TIE
SEE DETAIL SHEET D2

PLAN



SKETCH OF END TONGUE & GROOVE



NOTE;
SEE POLYSTEEL DETAIL SHEETS (D1-D2) FOR
ADDITIONAL INFORMATION

American Polysteel PS 4600-1		
SCALE: 1.5"=12.0"	APPROVED BY:	DRAWN BY: AH
DATE: Mar 2002		REVISED:
Copyright 2002	DRAWING NUMBER:	
American Polysteel 1-800-977-3676	PS 4600-1	