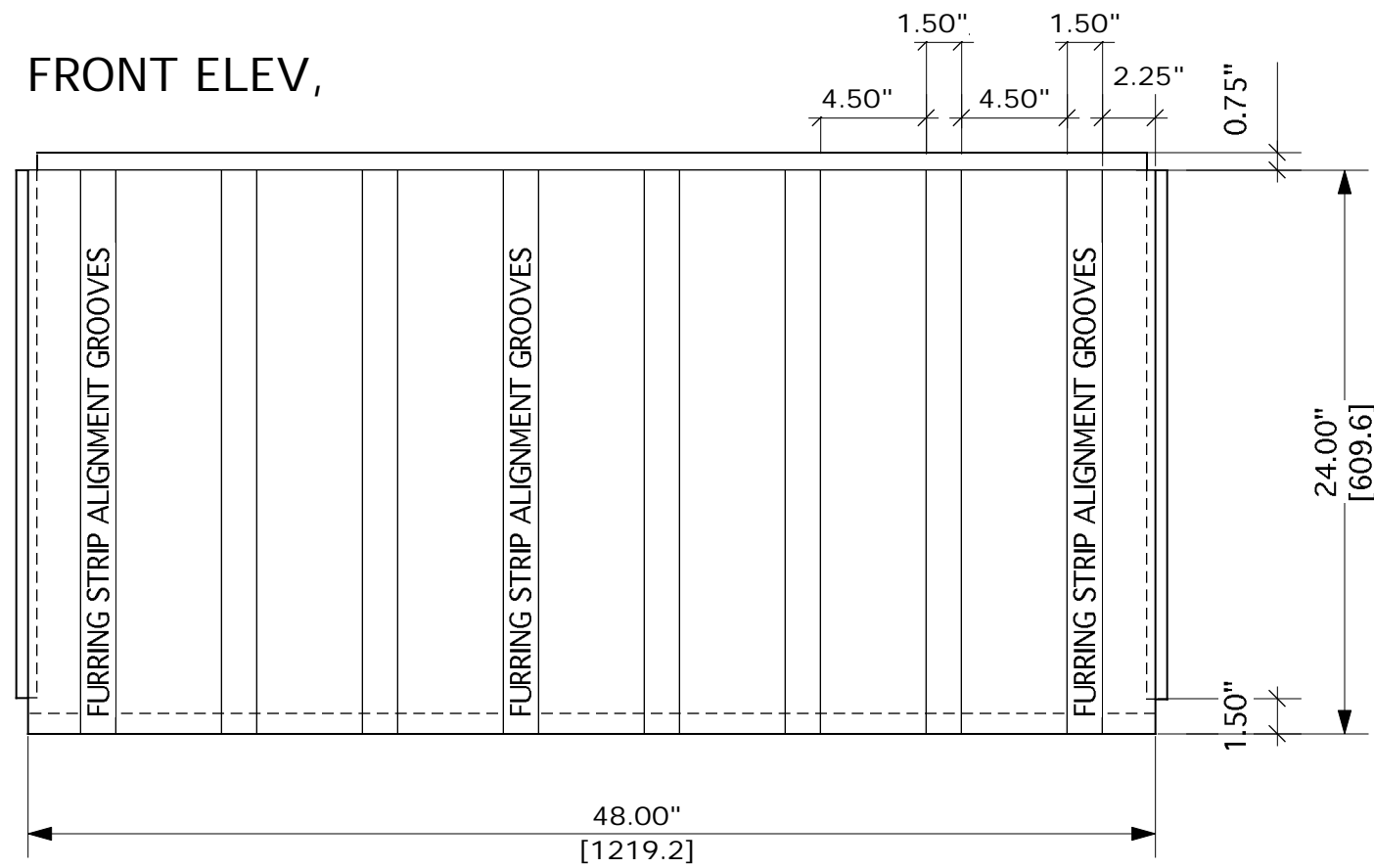
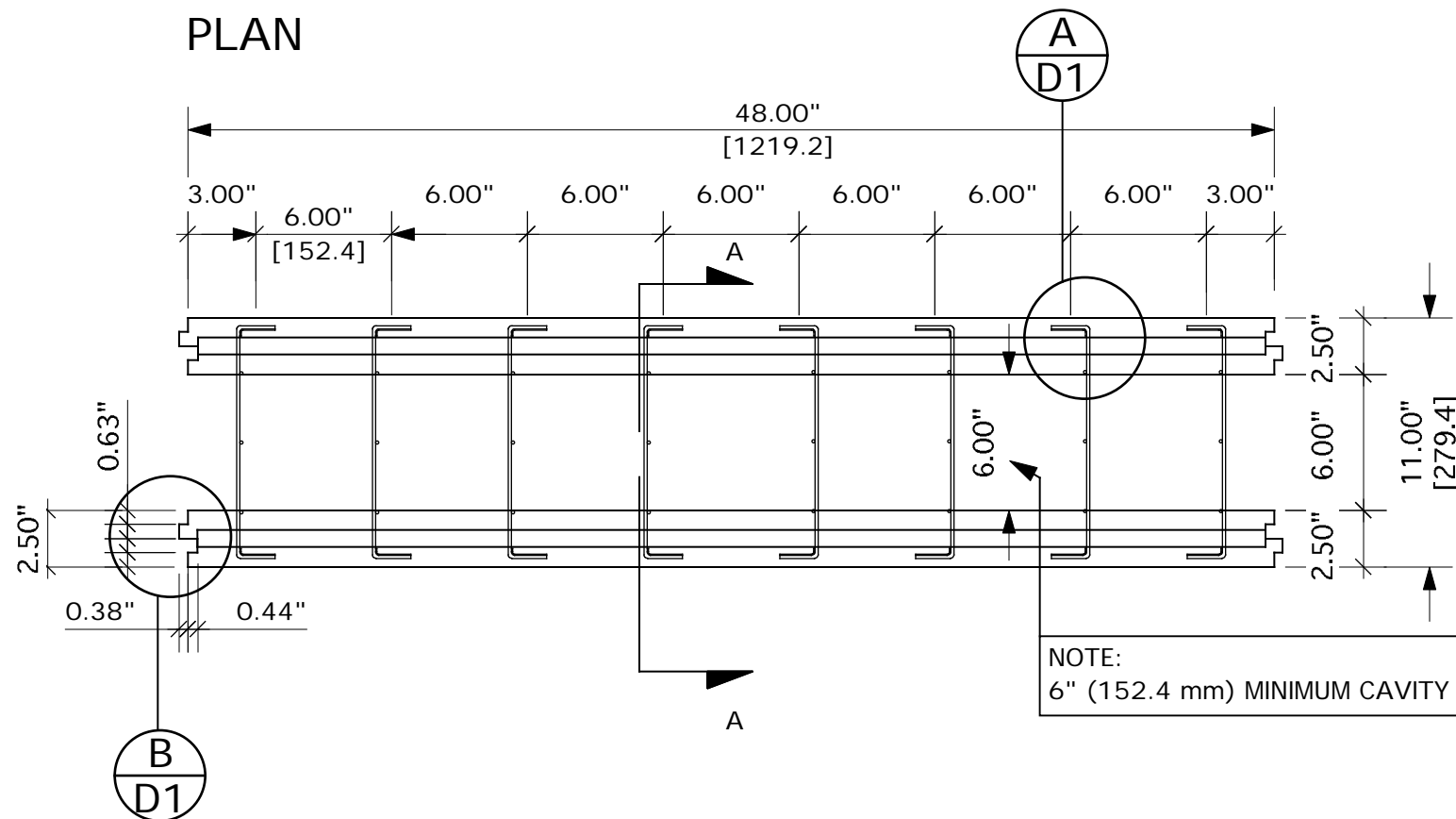


American Polysteel PS 4600-2 Scale 1.5"=12.0"

FRONT ELEV,

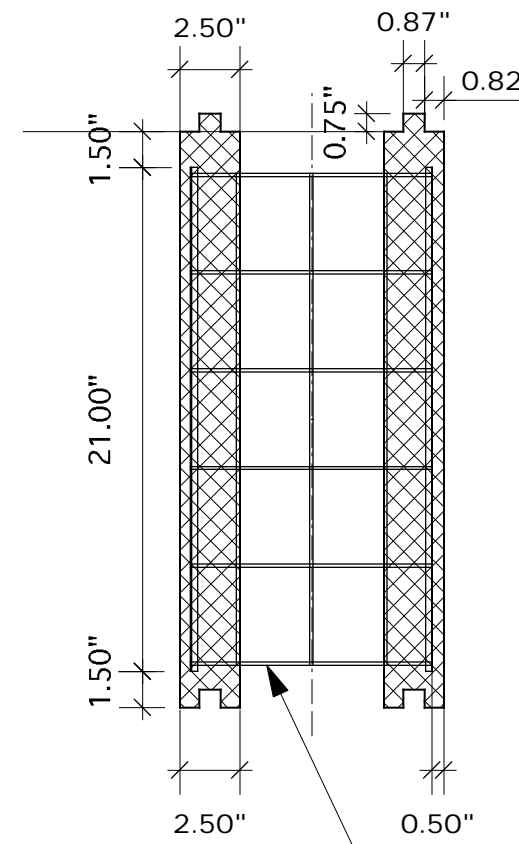


PLAN



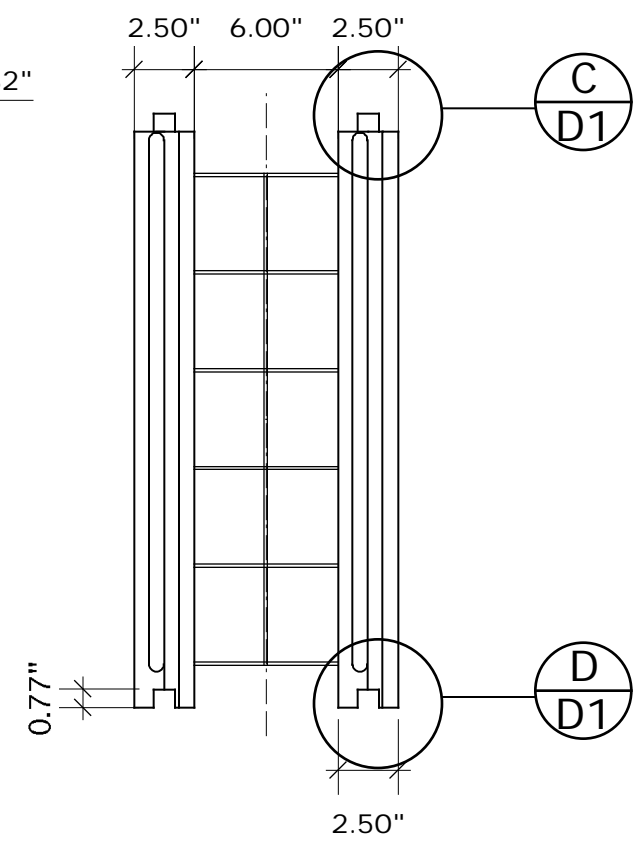
NOTE:
6" (152.4 mm) MINIMUM CAVITY

SECTION A

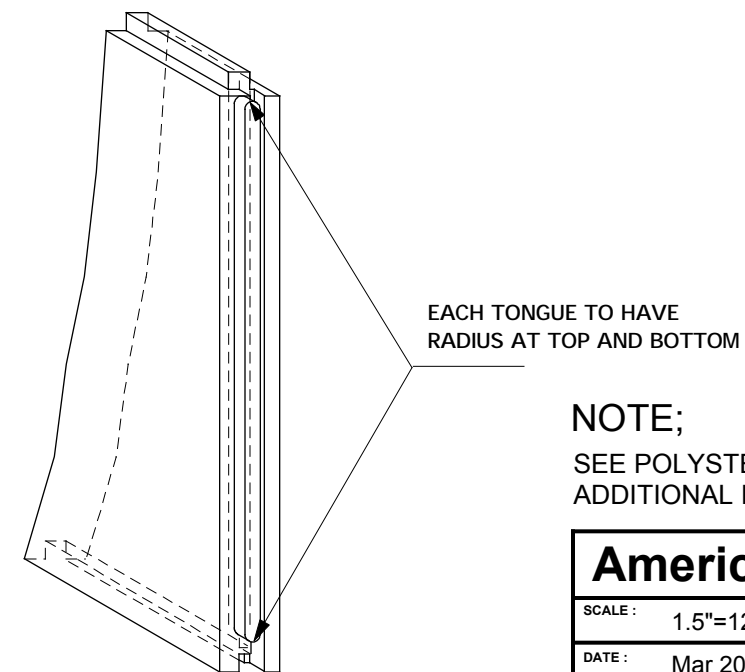


STEEL FURRING TIE
SEE DETAIL SHEET D2

END ELEV,



SKETCH OF END TONGUE & GROVE



NOTE;
SEE POLYSTEEL DETAIL SHEETS (D1-D2) FOR
ADDITIONAL INFORMATION

American Polysteel PS 4600-2		
SCALE: 1.5"=12.0"	APPROVED BY:	DRAWN BY: AH
DATE: Mar 2002		REVISED:
Copyright 2002	DRAWING NUMBER:	
American Polysteel 1-800-977-3676	PS 4600-2	