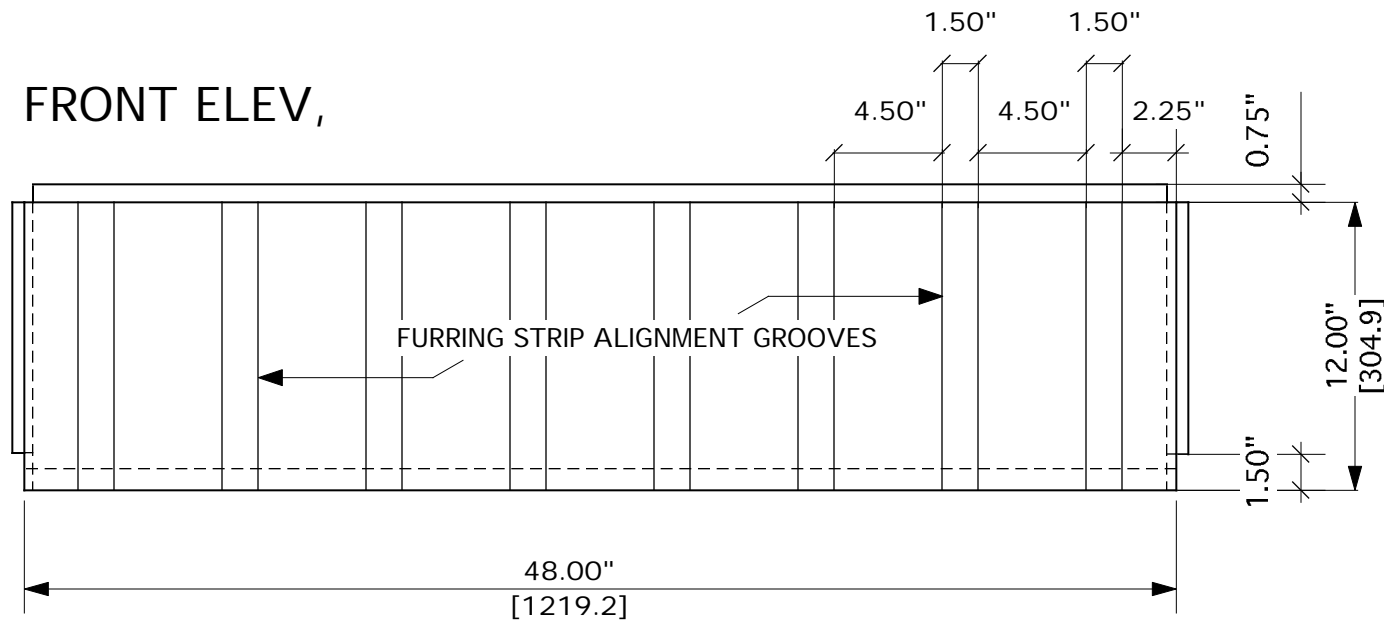
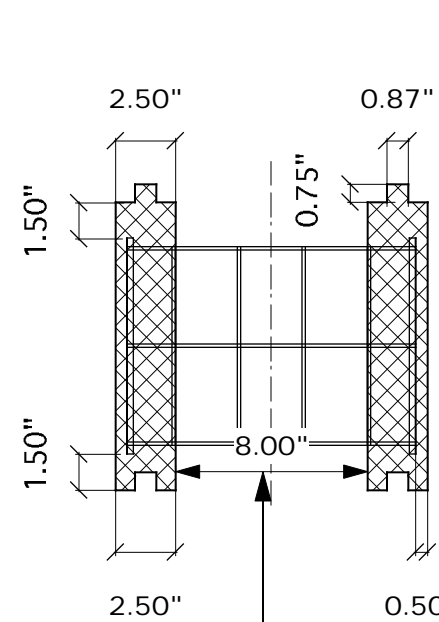


American Polysteel PS 4800-1 Scale 1.5"=12.0"

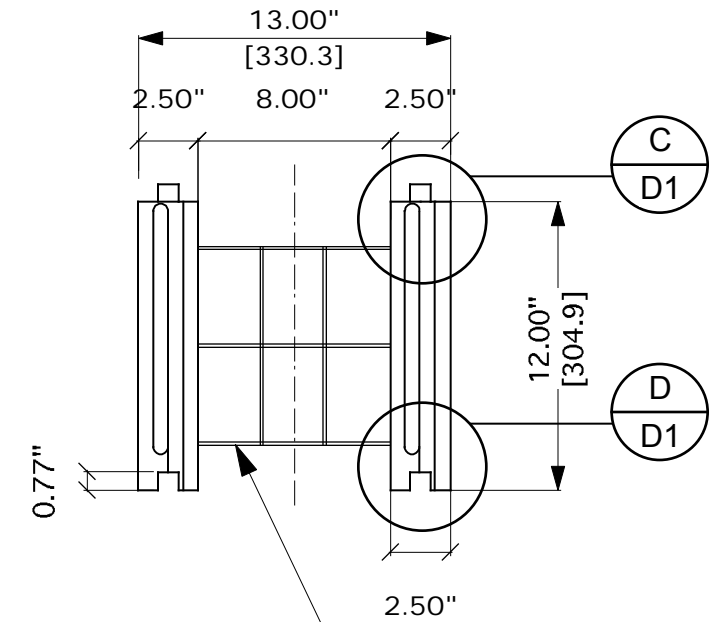
FRONT ELEV,



SECTION A



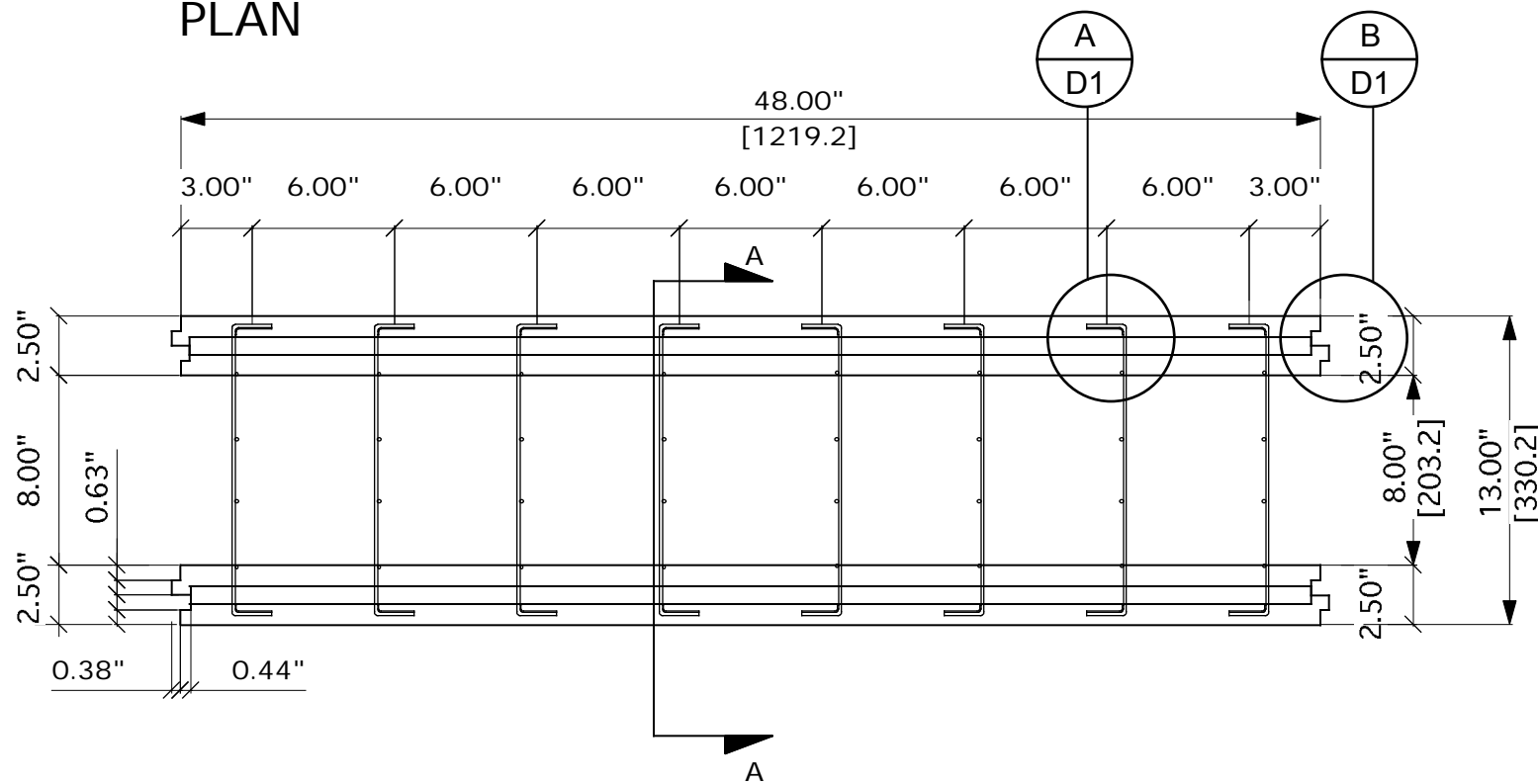
END ELEV,



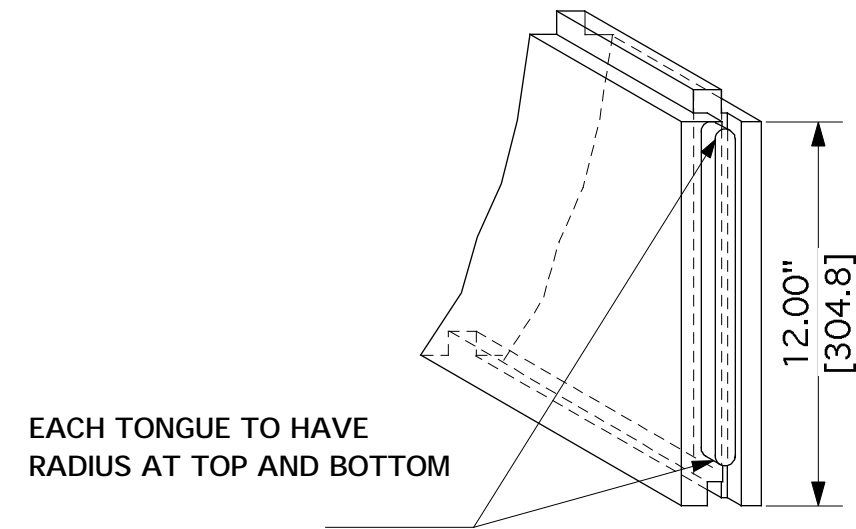
NOTE:
8" (204.8 mm) MINIMUM CAVITY

STEEL FURRING TIE
SEE DETAIL SHEET D2

PLAN



SKETCH OF END TONGUE & GROOVE



NOTE;
SEE POLYSTEEL DETAIL SHEETS (D1-D2) FOR
ADDITIONAL INFORMATION

American Polysteel PS 4800-1		
SCALE : 1.5"=12.0"	APPROVED BY :	DRAWN BY : AH
DATE : Mar 2002		REVISED :
Copyright 2002	DRAWING NUMBER :	
American Polysteel 1-800-977-3676	PS 4800-1	