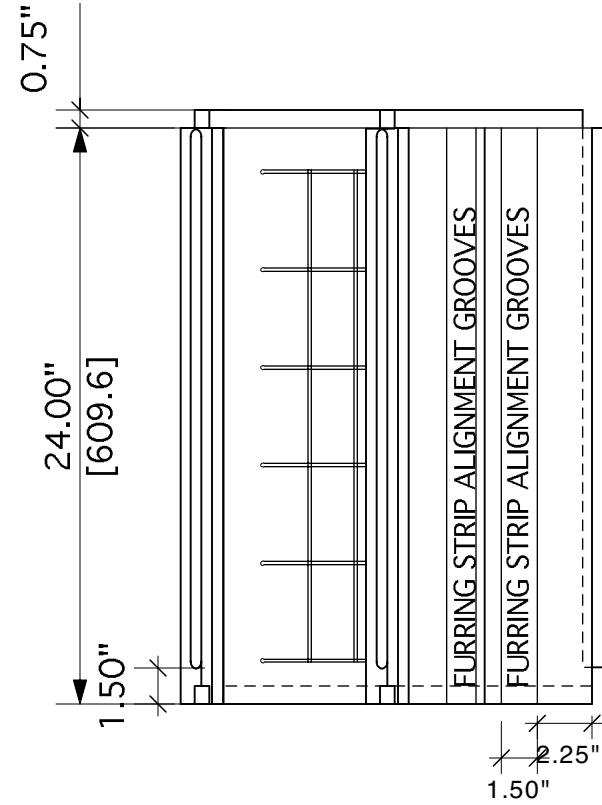
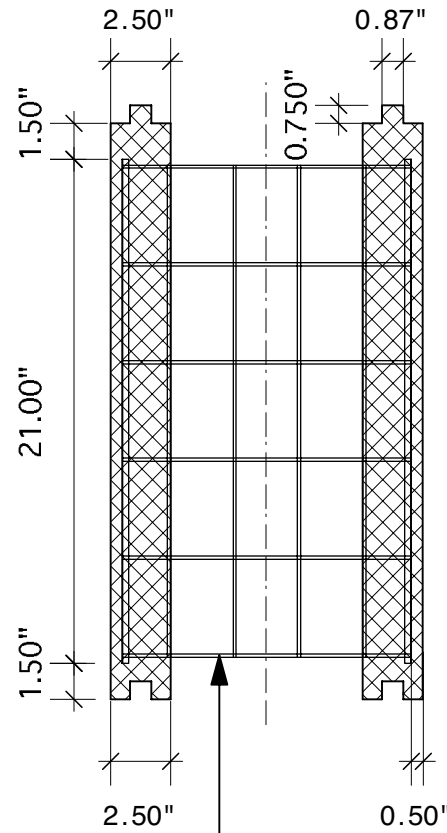


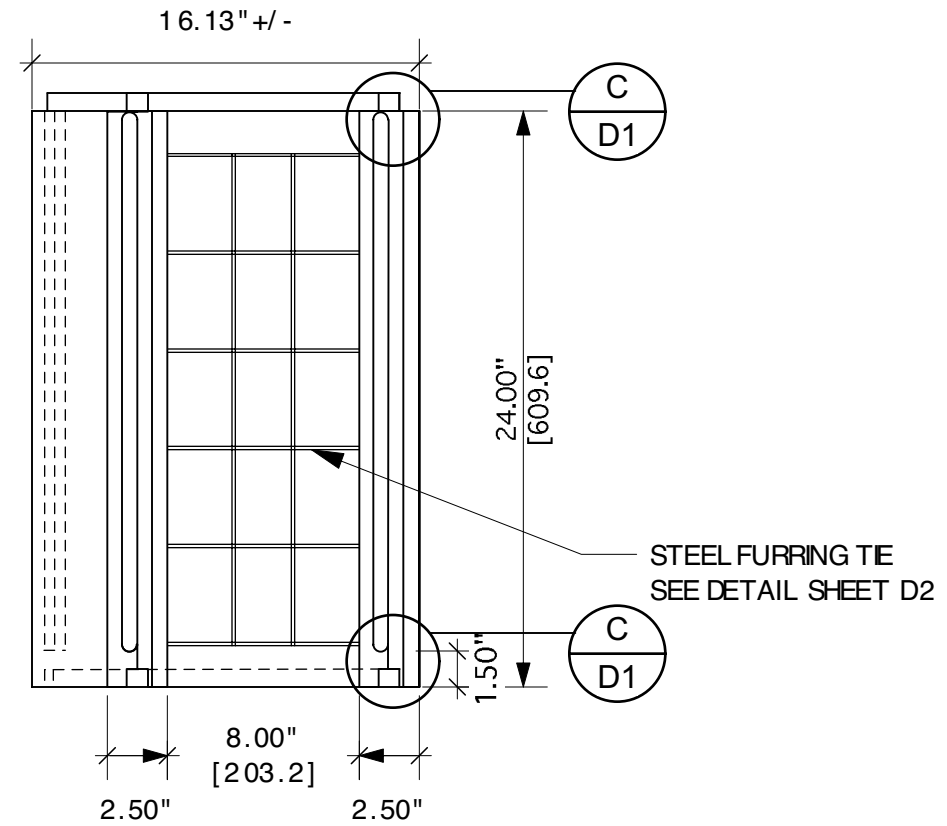
FRONT ELEV,



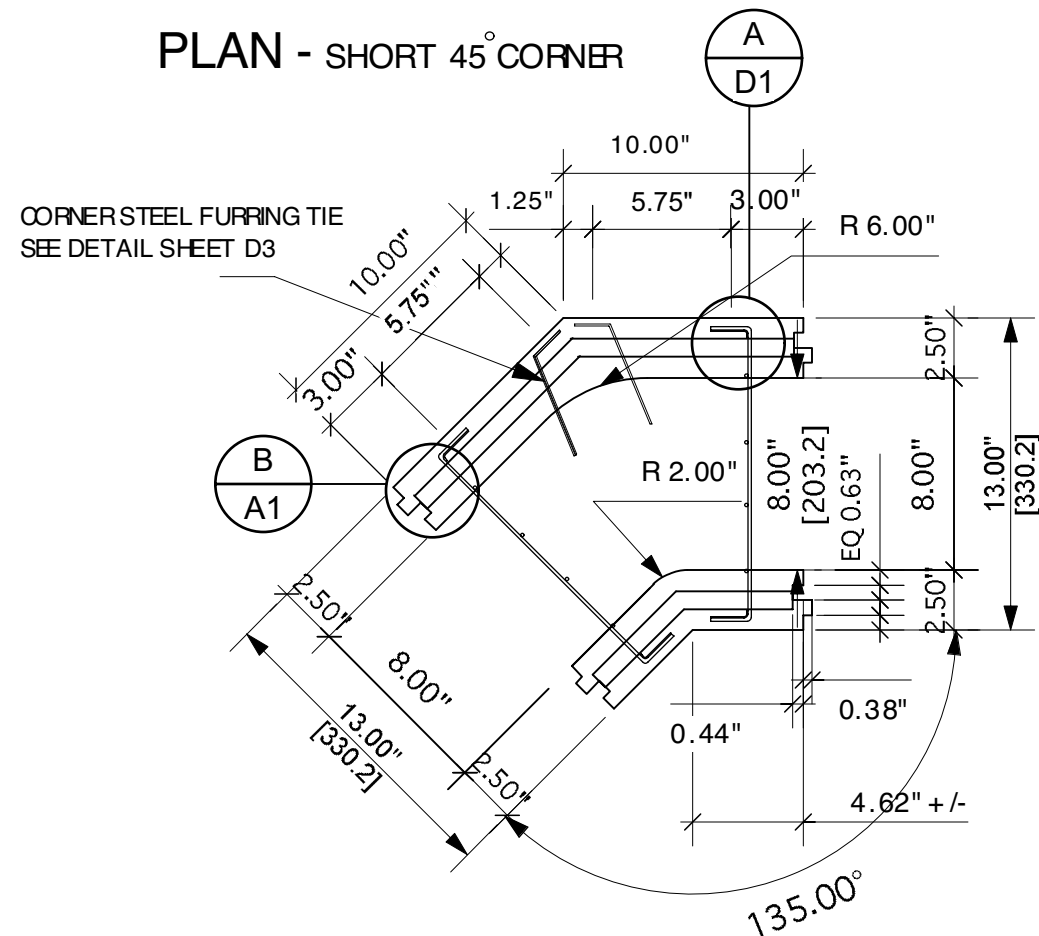
SECTION



END ELEV,



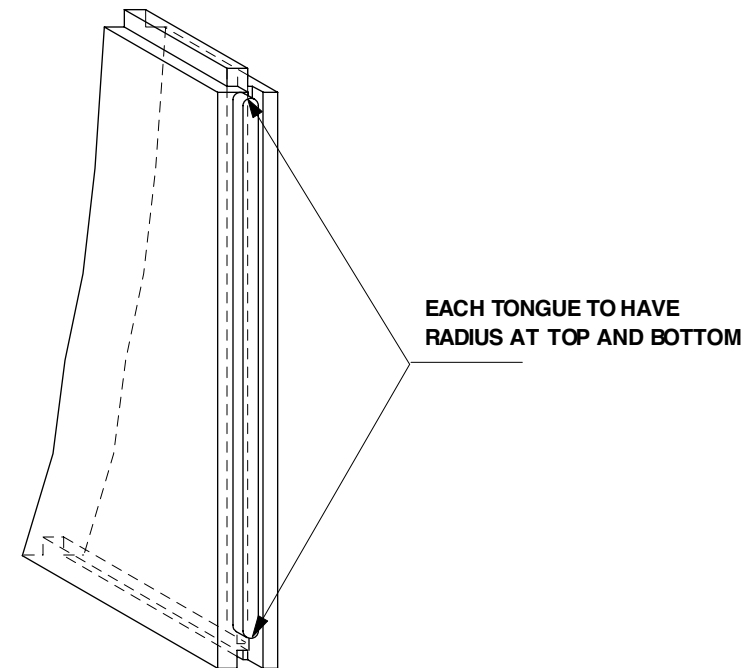
PLAN - SHORT 45° CORNER



NOTE:
8" (203.2 mm) MINIMUM CAVITY

SKETCH OF END TONGUE & GROVE

END ELEV,



NOTE;
SEE POLYSTEEL DETAIL SHEETS (D1-D3) FOR
ADDITIONAL INFORMATION

American Polysteel PS 4845-2S		
SCALE: 1.5"=12.0"	APPROVED BY:	DRAWN BY: AMH
DATE: Mar 2002		REVISED:
Copyright 2002	DRAWING NUMBER:	
American Polysteel 1-800-977-3676	PS 4845-2S	